

Installation and maintenance manual



1 | Preparation

1.1 APPLICATION _ Berg & Berg engineered flooring can be laid as a floating floor or glued down to the subfloor. The advanced Svedloc Plus profile makes the installation simple, safe and durable. Berg & Berg flooring is suitable for installation on water underfloor heating (radiant heated floor).

1.2 AMBIENT CONDITIONS _ All rooms shall be normally heated during installation (approximately 20° C / 68° F), the relative humidity must be between 30 % and 60 %. Maintenance of the correct relative humidity during and after installation reduces the possibility of deformation and the appearance of small openings in the floor. High temperatures from open fireplaces, tiled stoves, or intensive sunlight may cause damage. With floor heating the surface temperatures must not exceed 27° C / 81° F in any place. The maximum heat output must not exceed 55 W/m² and should not cover the whole surface. Coverage of floor heating systems with thick rugs or another floor covering is not recommended and may lead to unacceptable heat concentration. At the start of each heating season the temperature shall be gradually increased evenly over seven days until normal heating levels are achieved. The bundles should be opened only just prior to installation. The Bundles should be stored in the room where it is to be installed for 48 hours to reach the room temperature.

1.3 SUBFLOOR _ The subfloor must be free of any carpets, clean, dry, level, firm and structurally sound. Variations in level of the subfloor of more than 3 mm in 1 m (1/8" in 8") have to be levelled. The allowable maximum moisture content of a regular subfloor on a dry weight basis is for concrete 2.0 %, for anhydrous screed 0.5 % and must be verified before installation. With radiant heating the allowable maximum moisture content of the subfloor on a dry weight basis is for concrete 1.8 %, for anhydrous screed 0.3 %. The subfloor must be dried according to the heating protocol for radiant heated subfloors (www.berg-berg.com) and the moisture content be measured prior to the installation. Subfloors with direct contact to the soil, sections which are over unheated rooms or crawl spaces or with increased humidity such as boiler or laundry rooms always require additional protection against moisture (vapour barrier).

1.4 SPACING _ Wood as a natural material reacts to changes in climate. Between the flooring and walls, and all other hard points, such as doorframes or heating pipes there must be a horizontal distance of 10 – 15 mm (1/2"). Whenever possible the flooring is laid under the door frames. Floor segments longer than 20 m (66') or wider than 12 m (39') or complex shaped floor plans (e. g. L, Z, or U-shaped, hourglass, bottle-necked or in doorways) or where heavy or fixed installations would restrict the free expansion of the material, the floor must be separated with an expansion gap at a suitable position or glued down onto the subfloor.

1.5 TOOLS _ In addition to measuring tape, pencil, angle ruler and a saw the following tools are necessary and helpful for a quick and perfect installation: hammer be 500 g, parquet tool and wooden distance spacers. For floating installation a hardwood tapping block abt. 400 x 65 x 25 mm (16 x 3 x 1"). For glue down installation additionally a dented trowel or the innovative Parkett-X-Press and the Berg & Berg tapping tool is needed. This is specially designed for a damage free and clean glue down installation. The tapping blocks are available as accessories from Berg & Berg.

1.6.1 FLOATING INSTALLATION _ A moisture barrier of 0.2 mm (6 mil) polyethylene membrane shall be laid directly on the subfloor with approx. 20 cm (8") overlap. The barrier shall go up the walls abt. 5 cm (2"). The noise protection of max. 3 mm (1/8") thickness is installed without overlap on top of the moisture barrier. On a radiant heated floor the overlaps must be taped. The noise protection of max. 3 mm (1/8") thickness is installed without overlap on top of the moisture barrier. During installation the flooring elements are glued together with waterbased wood adhesive (D3) based on PVAC. The adhesive must be applied in the grooves along the edge and the end.

1.6.2 GLUE DOWN INSTALLATION _ Separation gaps between building segments must be copied in the flooring. Other subfloor cuts can be firmly linked and glued over. A vapor barrier primer directly on the subfloor helps to minimize the development of visible openings between the floor elements. The floor is glued directly on the possibly primed subfloor. There is no additional adhesive required in the grooves. We recommend elastic, water and solvent free adhesives, which are designed for engineered flooring and underfloor heating (radiant heated floor). Please always follow the instructions of the supplier of the adhesive.

2 | Installation

2.1 VISUAL INSPECTION _ Wood is a wholly natural product and each piece is unique in colour. Our strict quality control procedures cannot completely eliminate possible defects. Should you find a board which does not conform to our quality, please return it to the supplier for free exchange. Please check the panels and put defect boards aside. Imperfect and already installed boards cannot be claimed.

2.2 THE FIRST LINE _ Start with a board in the left corner of the room, with the two grooves against the wall. Link board by board of the first row with the tapping block tightly together. Always hit with the tapping block against the tongue. The last board of the first row must be precisely trimmed and put in place with the parquet tool. Where necessary the wood floor shall be shaped to match the course of the wall. The straight alignment of the first few rows of the flooring is extremely important for the successful installation of the rest of the floor. During installation the expansion gap to all walls is secured by spacers.

2.3 CONSECUTIVE LINES _ The remaining trim-off from the row before is used to start the new row. The offset of the end joints of adjacent lines must be min. 40 cm (16"). For floating installation apply the adhesive and prelink the boards horizontally. Tightly link the elements like a zipper using tapping block and hammer. Always and only use the tapping block to hit against the tongue. Never hit against the edge of the decorative face or directly with the hammer against the boards. Working in the applied adhesive (glue down installation) the Berg & Berg tapping tool makes it easy to hit against the tongue only without dirty tools and without disturbing the adhesive ribs.

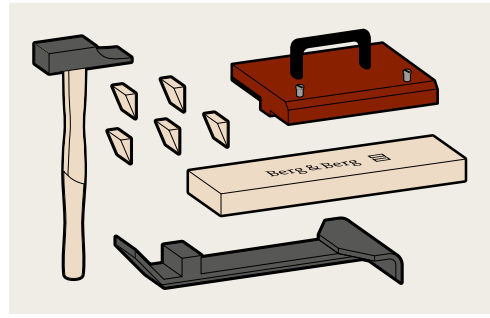
2.4 REMOVAL OF A BOARD _ If needed it is possible to remove the latest installed board as long as the adhesive is not cured. For this purpose stand on the adjacent installed row and gently lift the board which should be removed.

2.5 COMPLETION _ The last lengths are cut to size and inserted with the parquet tool. Immediately after completion of the installation, and during any long interruption to the installation, the spacers must be removed. All expansion gaps are covered with matching mouldings. Remove all dirt and debris from the surface.

Svedloc Plus 

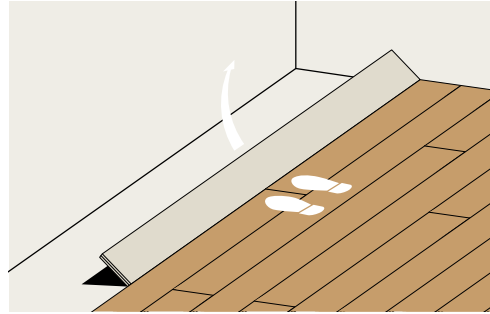
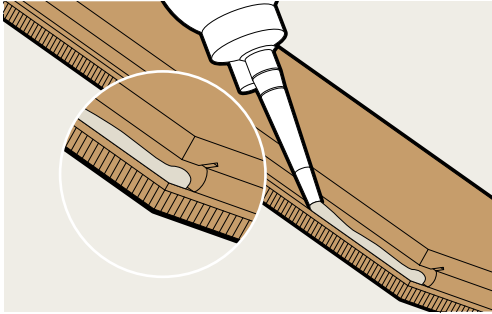
GOOD TO KNOW _ The unique Svedloc connection (locked and bonded) makes the installation easy and creates long-lasting perfect floors.

At a glance...



01

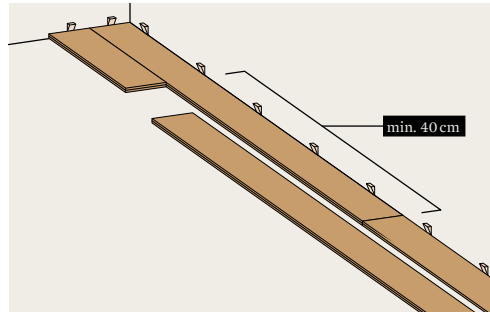
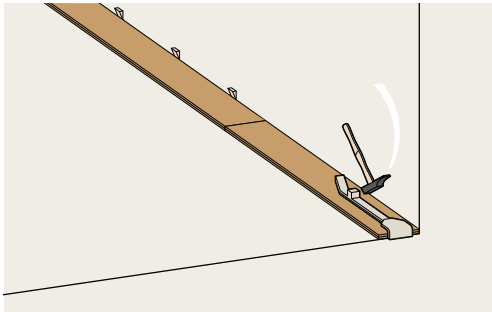
Necessary tools



02 | 03

Correct glue application for floating installation

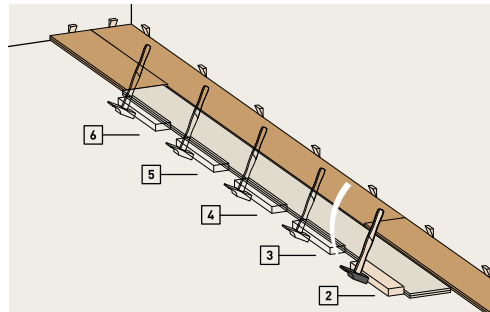
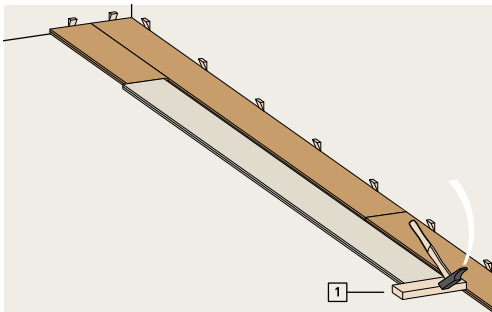
Removal of a board



04 | 05

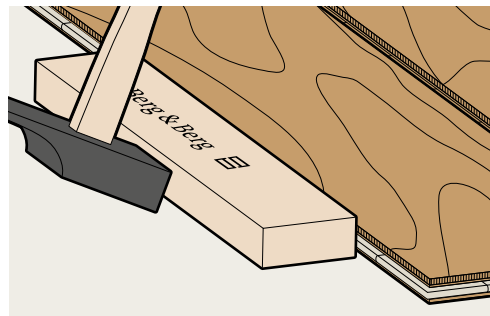
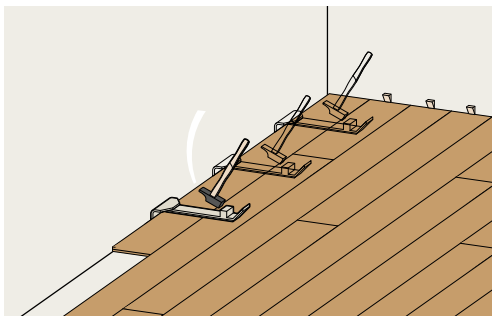
The last element of a row with the parquet tool

Of the end joints min. 40 cm (16')



06 | 07

Sequential use of the hammer and tapping block for the correct installation of the board



08 | 09

Insertion of the last row with the parquet tool

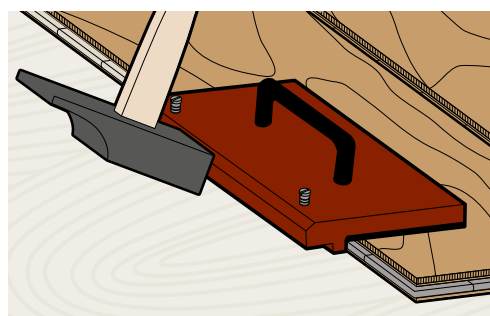
Tapping block only against the tongue - never against the groove or surface for floating installation



Video
floating installation



Video
glue down installation



10

Berg & Berg tapping tool for glue down installation



3 | Maintenance

Berg & Berg wooden flooring is delivered with the ready to use Bona UV acrylic lacquer finish or oxygen cured high soild natural oil. Both surfaces meet the requirements for natural beauty, durability, upkeep, and limited maintenance.

3.1 AN OUNCE OF CARE IS BETTER THAN A POUND OF REPAIR _ The right maintenance from the start is important. With the progress of time the floor becomes less demanding and increasingly resistant. By following the recommendations below, keeping your Berg & Berg floor in good condition will require a minimum amount of effort:

- > Loose dirt, dust and grit should be removed by sweeping or vacuuming.
- > Water causes swelling of the wood and can result in open joints and damage to the floor. Always remove spills and spots immediately with a slightly dampened cloth. Ensure adequate ventilation under flowerpots with stick-on floor protectors or equivalent.
- > Low humidity or high temperatures, particularly during winter or on underfloor heating, can result in small open joints and fissures in the wood. A comfortable room environment has a relative humidity of 30 – 60 %. Air humidifiers during winter are recommended. On under-floor heating the use of thick carpets or other floor coverings must be avoided.
- > A good quality doormat will save the floor from abrasive mud and dirt, plus it helps to reduce cleaning time.
- > Use casters or slip-on floor protectors (no nail-on protectors) under all furniture. Rollers must be soft and meet EN 12529 (bi-colored rolls). For office furniture chairs there are appropriate protection mats, and their use is recommended.
- > Strong cleaners, sand, dry microfibre, acid or alkaline substances, solvents, stiletto heels, metal or metal wear can damage the finish and cause imprints, scratches, and discoloration.
- > Only use recommended maintenance products and follow the instruction of the suppliers.

3.2 CARE FOR LACQUER FINISH FLOORING (BONA UV-ACRYLIC FINISH) _ For the regular cleaning and maintenance use Bona floor care products for lacquer finished flooring (additional information available at www.bona.com).

3.3 CARE FOR OILED FLOORING

AFTER INSTALLATION _ Oiled Berg & Berg floors are factory finished with an oxygen cured high soild oil. Nevertheless we recommend to finish the surface with a suitable oil. The effort directly after installation is neglectable and your valuable floor is better protected thereafter.

For detailed information see www.berg-berg.com	Initial maintenance direct after installation (Faxe)	Regular maintenance and cleaning (Faxe)
all natural oiled products and Oak Värmland	Faxe maintenance oil plus natural	Faxe wood floor soap natural
all white oiled products and Oak Gotland	Faxe maintenance oil plus white	Faxe wood floor soap white
Oak raw timber effect	Faxe InvisiOil	Faxe wood floor soap white



Finishing




Regular Cleaning



Renovation

Berg & Berg 

WWW.BERG-BERG.COM

 <p>Berg & Berg Sweden AB, S-37252 Kallinge 10 EN 14342 Multilayer parquet 14 mm</p>	Density and thickness	> 500 kg/m ³ ; 14 mm
	Reaction to fire	D _{f1-s1}
	Release of formaldehyde	E1
	Breaking strength	NPD
	Slipperiness	NPD
	Thermal conductivity	0.15 W/mK
	Biological durability	Class 1



Berg & Berg Sweden AB
Flyttblocksvägen 2
372 52 Kallinge · Sverige
T + 46. 457. 79250
info@berg-berg.com
www.berg-berg.com



Berg & Berg
Dreischichtparkett
DIN EN14342 · Z-156.607-877
eco-INSTITUT GmbH